



Parts Catalog

TUFFY® Tiller

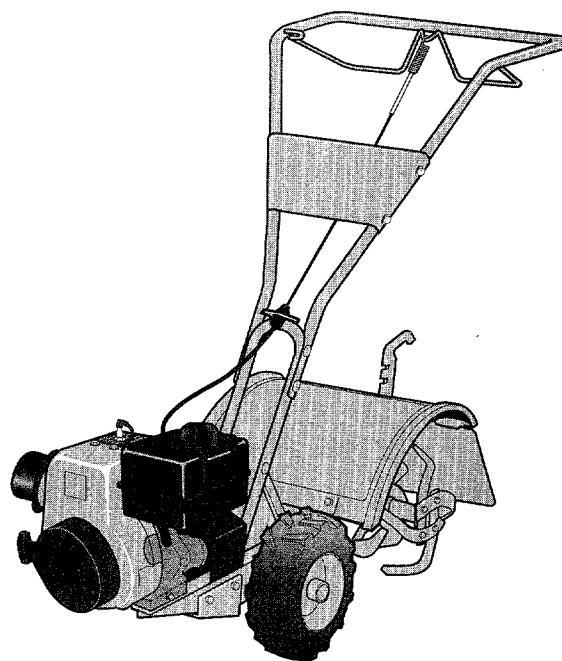
Models

12155

Serial Numbers
121551300101 - 121551399999

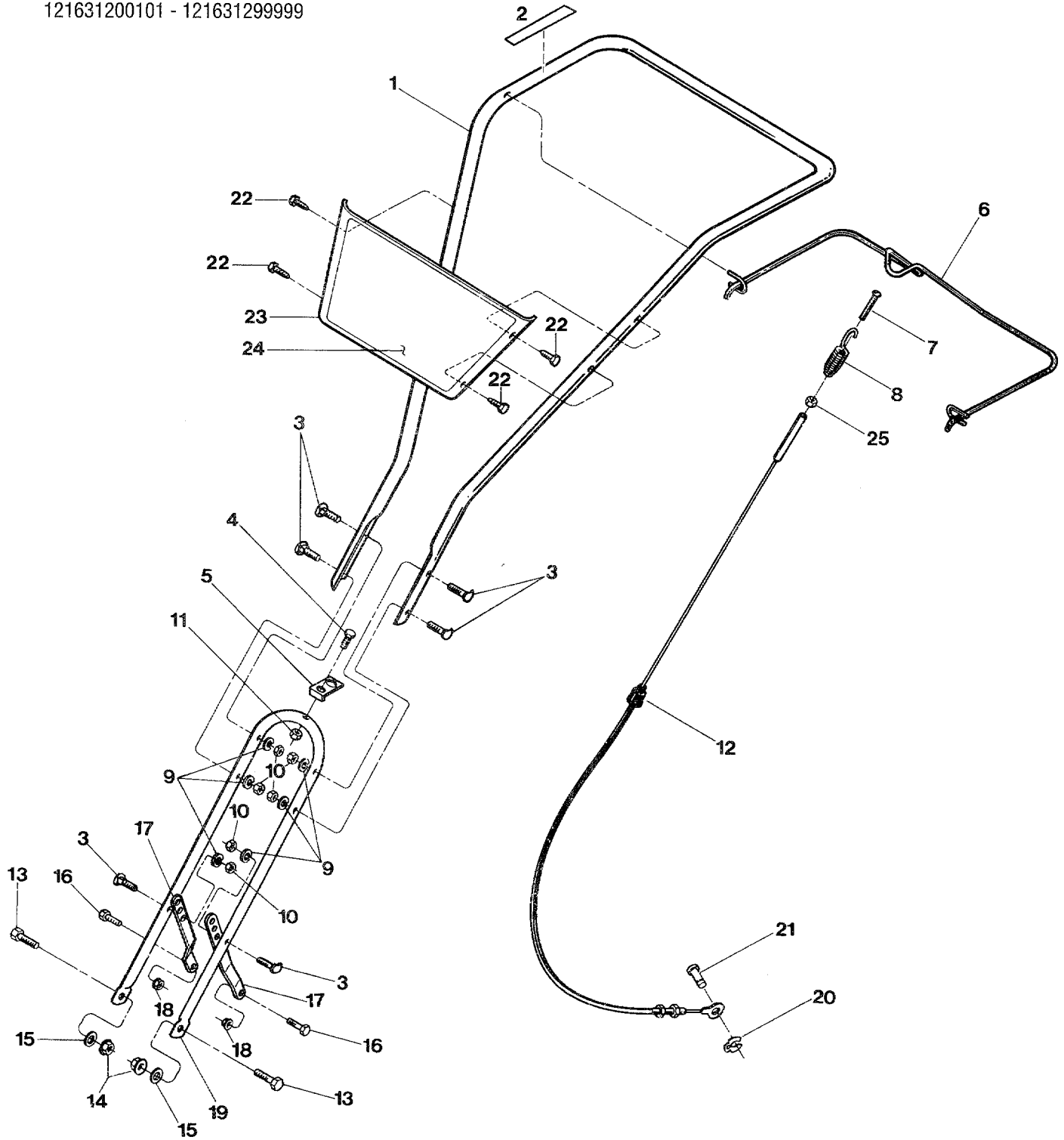
12163

Serial Numbers
121631200101 - 121631299999



HANDLEBARS, FORWARD CLUTCH CABLE, AND HANDLEBAR MOUNTING HARDWARE

SN: 121551300101 - 121551399999
121631200101 - 121631299999

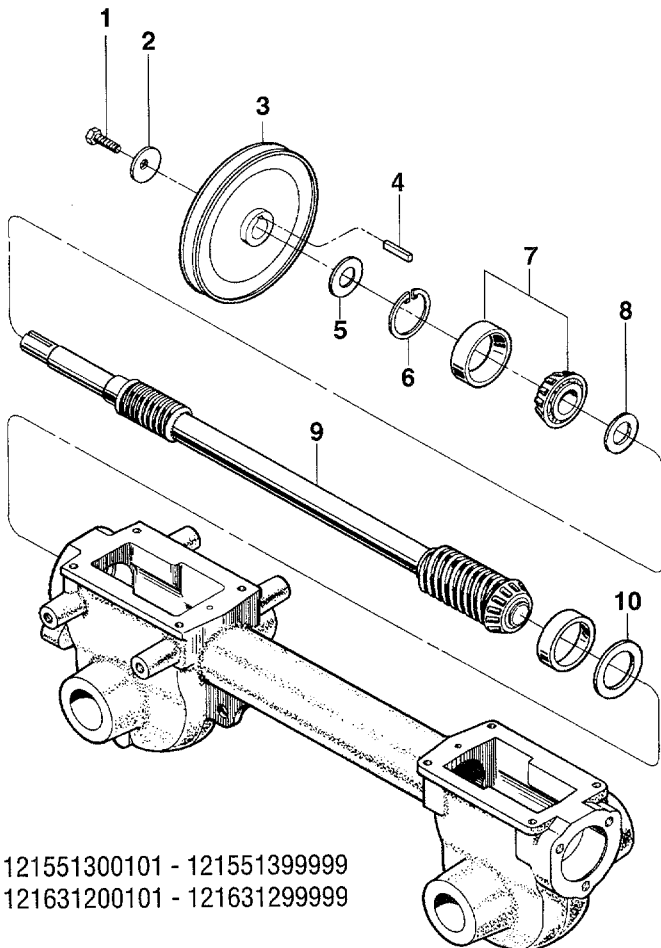


HANDLEBARS, FORWARD CLUTCH CABLE, AND HANDLEBAR MOUNTING HARDWARE

REF No.	PART No.	DESCRIPTION	QTY.	REF No.	PART No.	DESCRIPTION	QTY.
1	55104	Handlebar, Upper – Incl. Ref. 2 (A)	1	15	1107383	Washer–Flat, 3/8.....	2
	1901271	Handlebar, Upper – Incl. Ref. 2 (B)	1	16	1100044	Bolt–Hex Hd., 5/16-18 x 3/4	2
2	1916928	Decal–Forward Clutch Bail	1	17	55081	Support, Handlebar (A).....	2
3	9854	Bolt–Curved Hd., 5/16-18 x 1-1/2..	6		1902173021	Support, Handlebar (B).....	2
4	1100806	Bolt–Hex Hd., 1/4-20 x 1-1/4.....	1	18	1110107	Locknut–Hex Hd., 5/16-18.....	2
5	55044	Bracket, Cable.....	1	19	1902174021	Handlebar, Lower.....	1
6	1916106001	Bail–Forward Clutch	1	20	9386	Klip Ring.....	1
7	9855	Screw, #10-24 x 2	1	21	9856	Clevis Pin.....	1
8	55047	Spring–Forward Clutch.....	1	22	9552	Screw–Hex Hd., 1/4-20 x 1/2, Self-Tapping.....	4
9	1100242	Lockwasher–5/16	6	23	1901273010	Panel (A).....	1
10	1186230	Nut–Hex Hd., 5/16-18.....	6		1901273021	Panel (B).....	1
11	9811	Nut–Hex Hd., Lock, 1/4-20	1	24	55097	Decal–Model Name/Logo (A).....	1
12	55048	Cable Assy–Forward Clutch	1		1916437	Decal–Model Name/Logo (B).....	1
13	1100068	Bolt–Hex Hd., 3/8-16 x 3/4	2	25	1186227	Nut–Hex Hd., #10-24.....	1
14	9837	Locknut–Hex Hd., 3/8-16.....	2				

(A) - Model 12155 (B) - Model 12163

DRIVE SHAFT ASSEMBLY



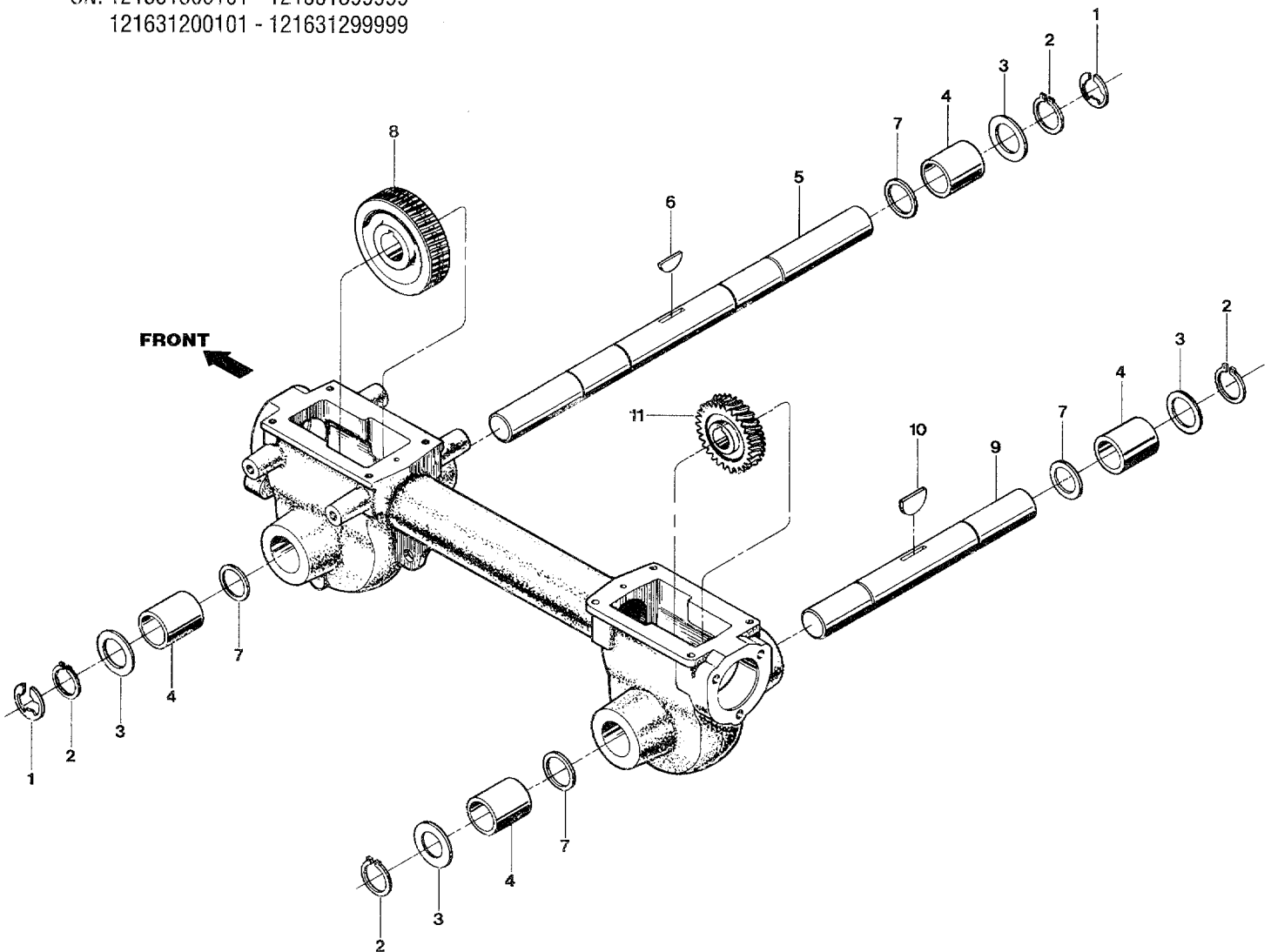
REF No.	PART No.	DESCRIPTION	QTY.
1	1100004	Bolt–Hex Head, 5/16-24 x 3/4, Grade 5.....	1
2	9944	Washer–Belleville	1
3	55031	Pulley–Transmission	1
4	9301	Key–Transmission Pulley, 3/16 x 11	
5	50027	Support Washer–Front.....	1
6	9517	Snap Ring	1
7	1714	Bearing–Tapered Roller with race..	2
8	50043	Support Washer–Rear.....	1
9	1904281	Drive shaft Assembly	1
10	1224-1	Shim–Rear Bearing Cap, .010 thick	A/R
	1224-2	Shim–Same as above except .030 thick	A/R
	1224-3	Shim–Same as above except .005 thick.....	A/R
	1224-4	Shim–Same as above except .062 thick.....	A/R
	1325C	Shim Set–Includes the following shims: two #1224-1, two 1224-2, one 1224-3, and one #1224-4 ...	A/R

A/R – As Required

SN: 121551300101 - 121551399999
121631200101 - 121631299999

WHEEL SHAFT & TILLER SHAFT ASSEMBLIES

SN: 121551300101 - 121551399999
 121631200101 - 121631299999

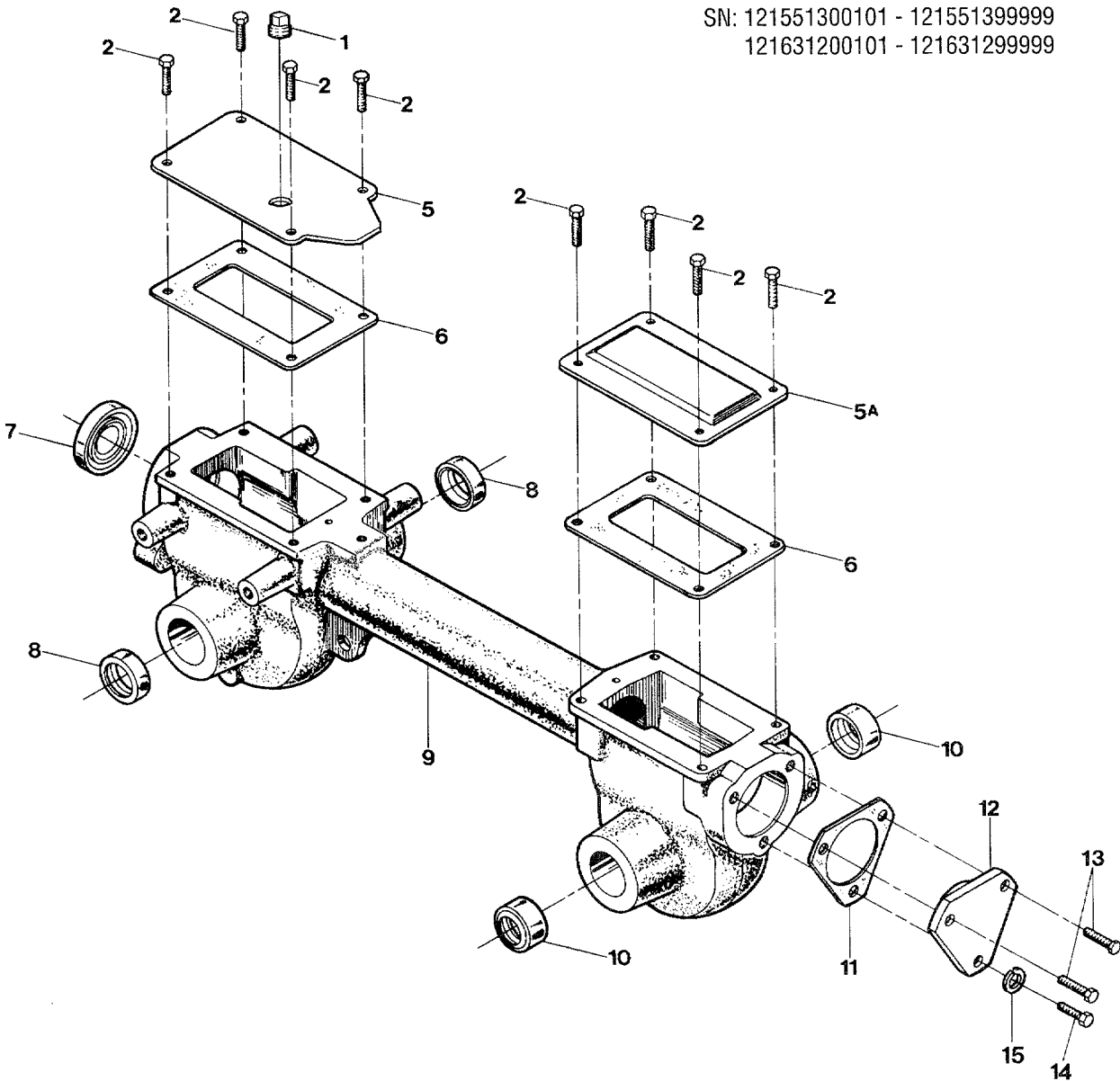


REF No.	PART No.	DESCRIPTION	QTY.	REF No.	PART No.	DESCRIPTION	QTY.
1	9512	Retainer-Snap Ring, "E" Type	2	5	55004	Wheel Shaft	1
2	9511	Retainer-Snap Ring	4	6	9305	Key-Wheel Shaft, Hi Pro, 1/4 x 1	1
3	1166-1	Shim-0.062" Thick	A/R	7	1132-2	Spacer	4
	1166-2	Shim-0.030" Thick	A/R	8	1904278	Worm Gear-Wheel Shaft	1
	1166-3	Shim-0.015" Thick	A/R	9	1915074	Tiller Shaft	1
	1166-4	Shim-0.010" Thick	A/R	10	1104	Woodruff Key-Tiller Shaft	1
	1166-5	Shim-0.005" Thick	A/R	11	1904279	Worm Gear-Tiller Shaft	1
4	1086	Bushing-Bronze	4				

A/R - As Required

TRANSMISSION HOUSING, COVERS, SEALS, GASKETS, AND PLUG

SN: 121551300101 - 121551399999
 121631200101 - 121631299999

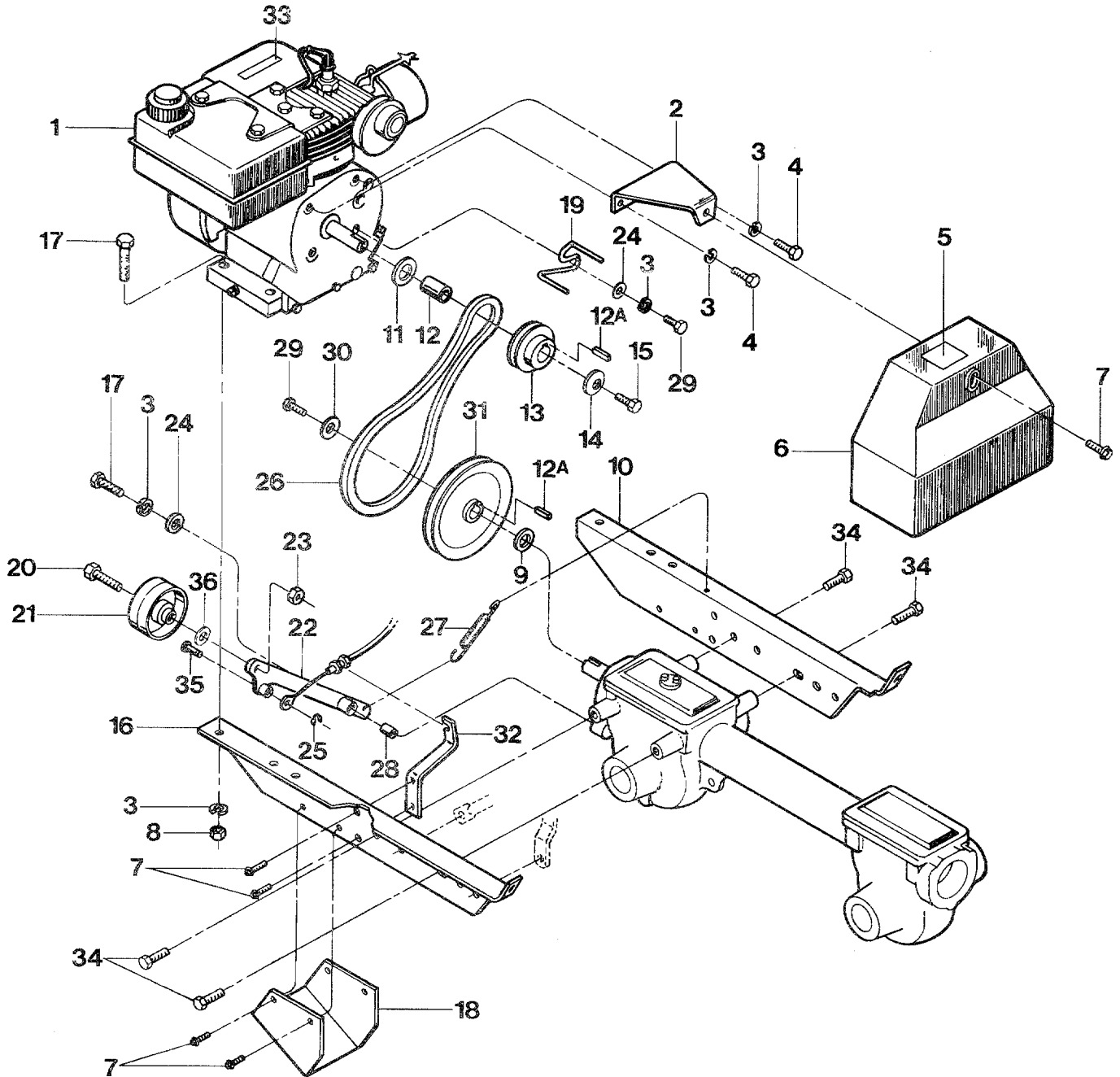


REF No.	PART No.	DESCRIPTION	QTY.
1	9727	Plug-Transmission Oil Fill/Check..	1
2	1186328	Bolt-Hex Hd., Flange Lock, 5/16-18 x 5/8", GR5	8
5	1916641001	Cover-Trans. Housing Front	1
5A	50074	Cover-Trans. Housing, Rear (A)....	1
	1902186021	Cover-Trans. Housing, Rear (B)....	1
6	50032	Gasket-Transmission Housing Cover (Front and Rear)	2
7	9617	Oil Seal-Drive Shaft	1
8	9621	Oil Seal-Wheel Shaft.....	2

REF No.	PART No.	DESCRIPTION	QTY.
9	1915084010	Transmission Case, Rear Housing and Tube Assembly (A).....	1
	1915084021	Transmission Case, Rear Housing and Tube Assembly (B).....	1
10	1909374	Oil Seal-Tine Shaft	2
11	55011-1	Gasket-Bearing Cap (.010" thick) .	1
	55011-2	Gasket-Bearing Cap (.030" thick)..	1
12	1916111001	Cap-Rear Bearing	1
13	1186331	Bolt-Flanged Hd., 5/16-18 x 1"	2
14	1100044	Bolt-Flanged Hd., 5/16-18 x 3/4" ..	1
15	1100242	Lockwasher, 5/16".....	1

ENGINE, ENGINE BRACKETS, AND FORWARD DRIVE MECHANISM

SN: 121551300101 - 121551399999
121631200101 - 121631299999



ENGINE, ENGINE BRACKETS, AND FORWARD DRIVE MECHANISM

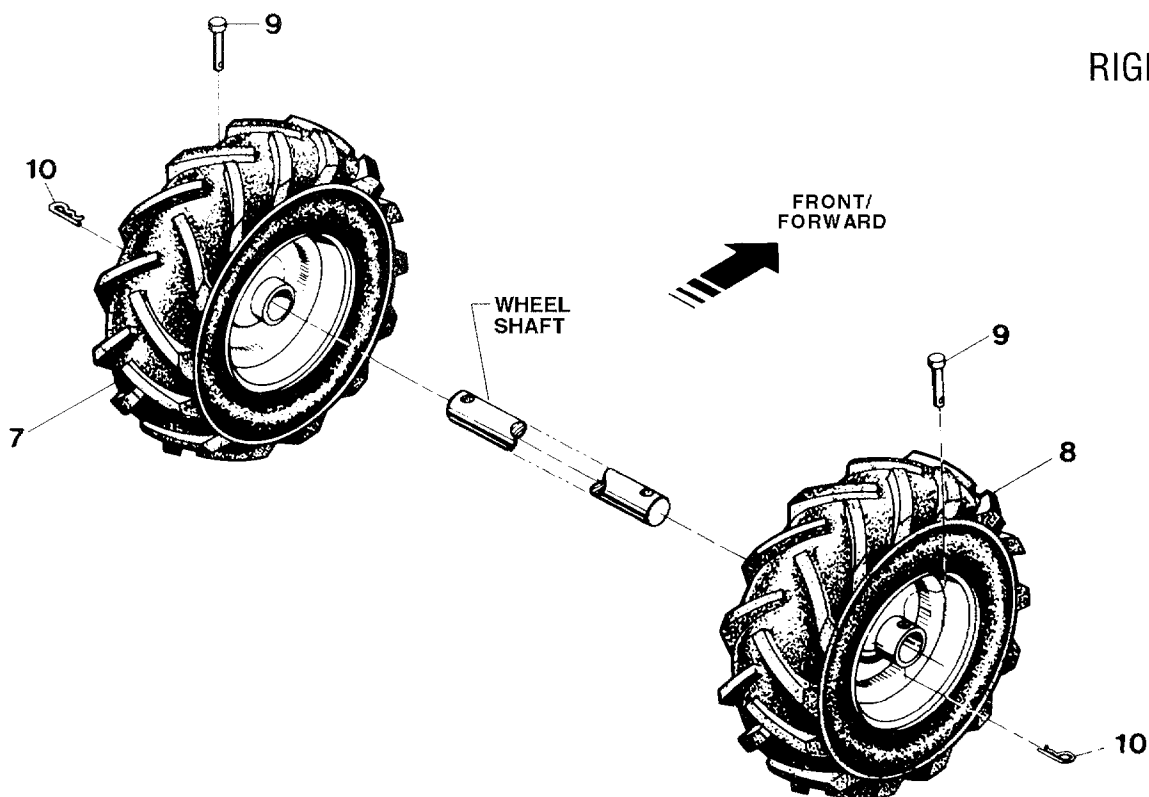
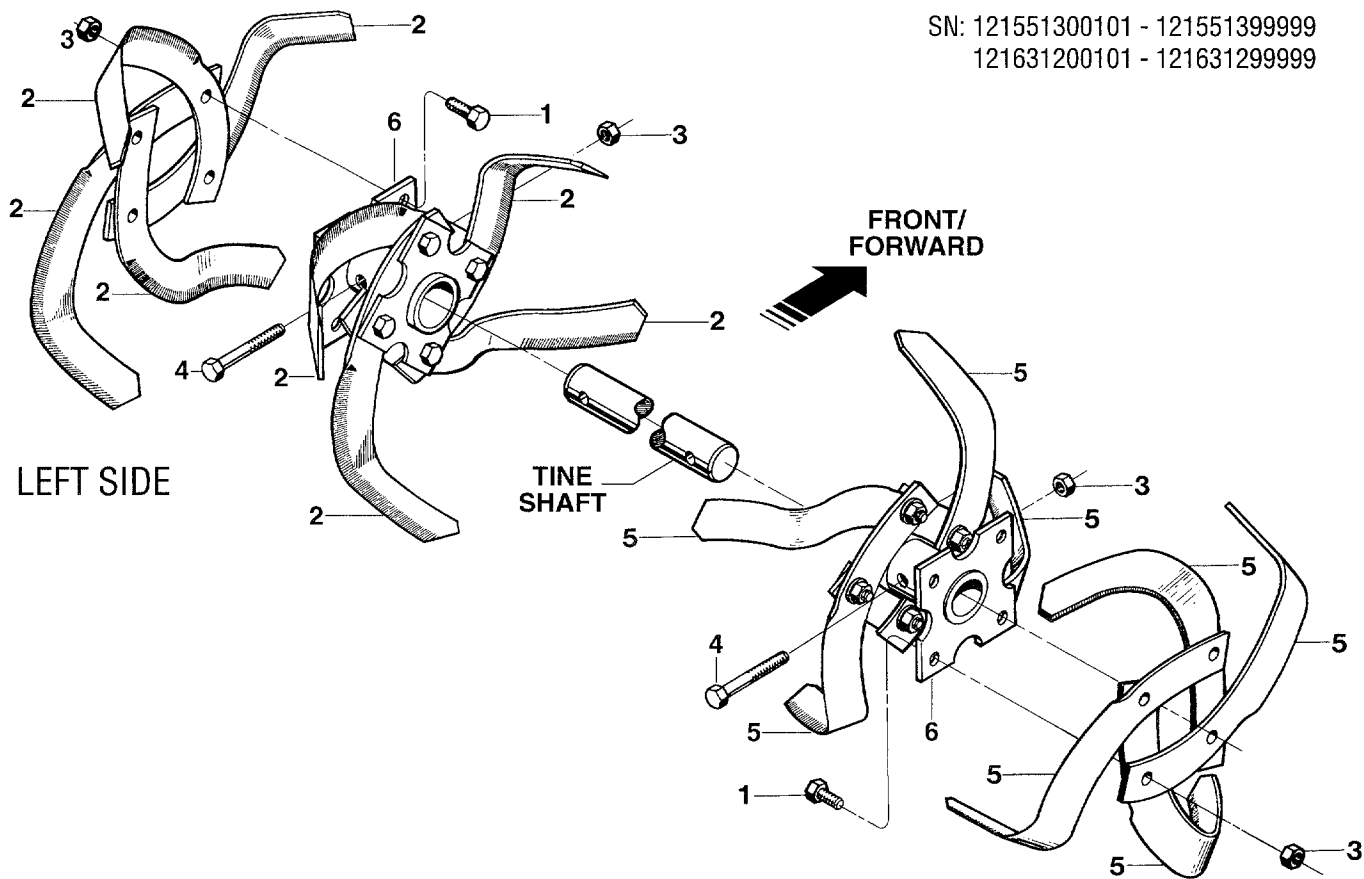
REF No.	PART No.	DESCRIPTION	QTY.	REF No.	PART No.	DESCRIPTION	QTY.
1	*	Engine– Tecumseh, recoil start	1	20	9558	Bolt–Hex Hd., 3/8-16 x 1-1/2	1
2	1916112001	Bracket, Belt Cover	1	21	9090	Idler Pulley	1
3	1100242	Lockwasher–5/16	8	22	1916116001	Idler Lever	1
4	1111696	Bolt–Hex Hd., 5/16-24 x 1/2	2	23	1110108	Locknut – 3/8-16	1
5	1904549	Decal–Warning, Hot Surfaces	1	24	1107382	Washer, Flat	2
6	1904573	Belt Cover–(includes decal 1904549)	1	25	9386	Klip Ring	1
7	9552	Bolt–Flanged Hd., Self-Tapping, 1/4-20 x 1/2	7	26	55037	V-Belt	1
8	1186230	Nut–Hex Hd., 5/16-18	4	27	55034	Spring, Return	1
9	50027	Support Washer	1	28	55033	Bushing–Idler Lever	1
10	1916795001	Bracket, Engine, Right	1	29	1100004	Bolt–Hex Hd., 5/16-24 x 3/4, Grade 5	2
11	1138-2	Shim	A/R	30	9944	Washer, Belleville, Transmission Pulley	1
12	55036	Spacer	1	31	55031	Pulley–Transmission	1
12A	9301	Key–3/16 x 1	2	32	1916117001	Bracket–Cable Mount	1
13	55035	Pulley, Engine Driven	1	33	1900766	Decal–Stabilization	1
14	9925	Washer, Belleville	1	34	1186328	Bolt–5/16-18 x 5/8, Engine Bracket to Transmission	4
15	1100009	Bolt–Hex Hd., 3/8-24 x 1	1	35	9856	Clevis Pin–Control Cable	1
16	1916794001	Bracket, Engine, Left	1	36	1107383	Washer–flat, 3/8	1
17	1100799	Bolt–Hex Hd., 5/16-18 x 1-1/2	5				
18	1902182001	Belt Pulley Guard	1				
19	55039	Belt Guide	1				

A/R – As Required

* Contact your local authorized engine service dealer for engine parts and service. Refer to your engine nameplate for engine model/type number.

BOLO TINES, WHEELS

SN: 121551300101 - 121551399999
121631200101 - 121631299999

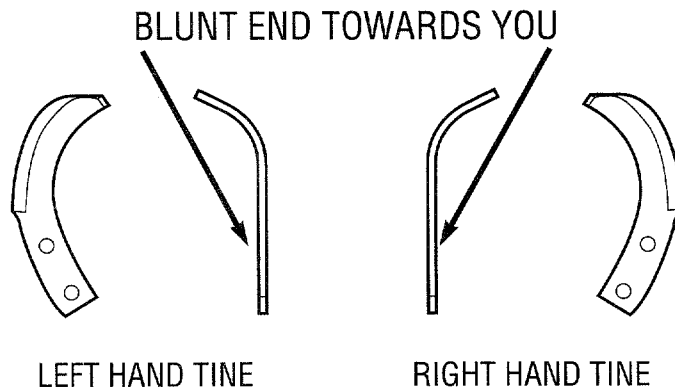


BOLO TINES, WHEELS

REF No.	PART No.	DESCRIPTION	QTY.
1	9711	Bolt-Hex Head, 3/8-16 x 1", Grade 5, Tine Mounting	16
2	50049-01	Bolo Tine-Single, Right Hand tine used on left side of tiller. Includes mounting hardware: two #9711 bolts (Ref No.1) and two #1733398 lock nuts	8
3	1733398	Locknut-Hex Hd., 3/8-16	18
4	9555	Bolt-Hex Hd., 3/8-16 x 1-3/4" (tine holder to tiller shaft)	2
----	1901	Replacement Set of 16 Bolo Tines—including eight right hand tines, eight left hand tines; and all required assembly hardware	1

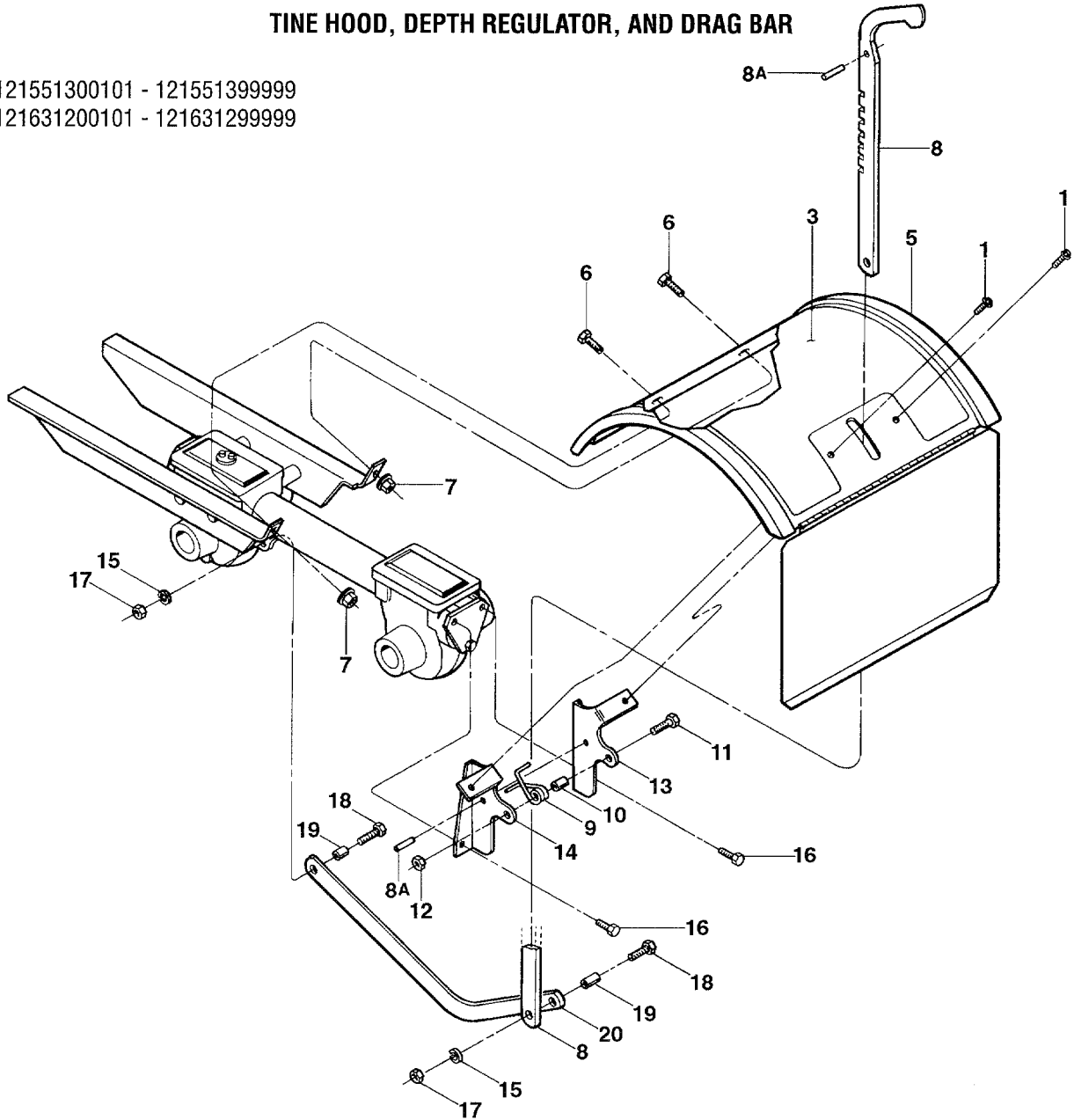
REF No.	PART No.	DESCRIPTION	QTY.
5	50049-02	Bolo Tine-Single, Left Hand tine used on right side of tiller. Includes mounting hardware: two #9711 bolts (Ref No. 1), and two #1733398 lock nuts	8
6	1915075001	Tine Holder—for bolo tines, left and right sides.....	2
7	55095-01	Wheel & Tire Assy-Left Side.....	1
8	55095-02	Wheel & Tire Assy-Right Side	1
9	9380	Clevis Pin-.312" x 1-3/4", secures wheel hub to wheel shaft.....	2
10	9338	Hair Pin Cotter	2

IMPORTANT: Left and right sides of tiller are determined by standing in the operator position and facing the direction of forward travel.



TINE HOOD, DEPTH REGULATOR, AND DRAG BAR

SN: 121551300101 - 121551399999
 121631200101 - 121631299999



REF No.	PART No.	DESCRIPTION	QTY.
1	9552	Bolt-Fl. Hd., Self-Tap, 1/4-20 x 1/2"	2
3	1904547	Decal-Hood (A)	1
	1916436	Decal-Hood (B)	1
5	1904572	Tine Hood-Includes tine flap.....	
		and Ref. No. 3. (A).....	1
	1916440	Tine Hood-Includes tine flap.....	
		and Ref. No. 3. (B).....	1
6	1100088	Bolt-Hex Hd., 5/16-18 x 1/2"	2
7	1186391	Nut-Flange Lock, 5/16-18.....	2
8	1916118001	Depth Regulator Lever	1
8A	9308	Spirol Pin	2
9	9384	Spring-Depth Regulator	1

REF No.	PART No.	DESCRIPTION	QTY.
10	9534	Spacer	1
11	1100069	Bolt-Hex Hd., 1/4-20 x 1".....	1
12	9811	Locknut-Hex Hd., 1/4-20.....	1
13	1916119001	Bracket-Hood, Right Hand.....	1
14	1916120001	Bracket-Hood, Left Hand	1
15	11000242	Lockwasher, 5/16".....	2
16	1186331	Bolt-Flanged Hd., 5/16-18 x 1"	2
17	1186230	Nut-Hex Hd., 5/16-18	2
18	1100808	Bolt-Hex Hd., 5/16-18 x 1-1/4"	2
19	55088	Bushing-Drag Bar	2
20	1916121001	Drag Bar.....	1

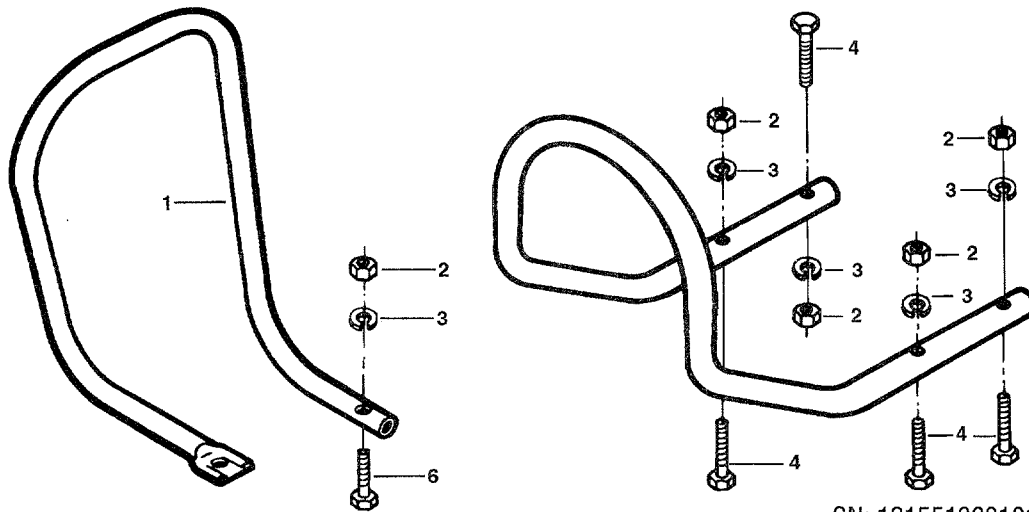
(A) - Model 12155 (B) - Model 12163

ACCESSORIES

BUMPER & CARBURETOR GUARD ATTACHMENT (Part No. 12592)
(Viewed from front of tiller)

REF No.	PART No.	DESCRIPTION	QTY.
1	1904540001	Carburetor Guard.....	1
2	1186230	Nut-Hex Head, 5/16-18	5
3	11000242	Lockwasher-5/16.....	5

REF No.	PART No.	DESCRIPTION	QTY.
4	1111608	Bolt-Hex Head, 5/16-18 x 2-1/2 ..	4
5	1904539001	Bumper.....	1
6	1100799	Bolt-Hex Head, 5/16-18 x 1-1/2 ..	1

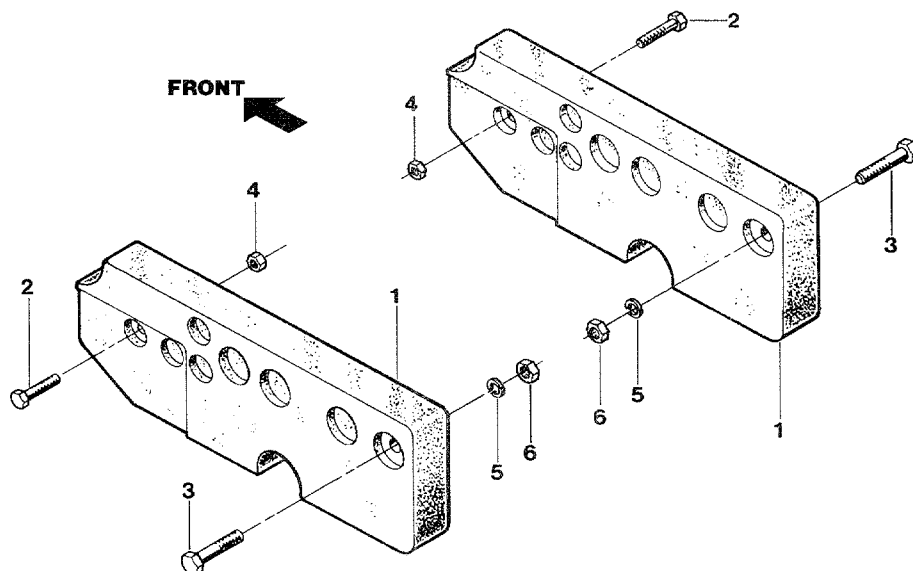


SN: 121551300101 - 121551399999
121631200101 - 121631299999

FRAME WEIGHT KIT (Part No. 1916454)

REF No.	PART No.	DESCRIPTION	QTY.
1	1916474001	Frame Weight	2
2	1100806	Bolt-Hex Head, 1/4-20 x 1-1/4	2
3	1100799	Bolt-Hex Head, 5/16-18 x 1-1/2 ..	2

REF No.	PART No.	DESCRIPTION	QTY.
4	1186229	Nut, Hex Hd., 1/4-20.....	2
5	1100242	Lockwasher-5/16.....	2
6	1186230	Nut, Hex Hd., 5/16-18.....	2



Parts Ordering Information

If you need service or parts:

For service assistance or parts, contact your local authorized dealer or the factory.

Your local dealer or service department will need to know the model/serial numbers of the unit to provide the most efficient service. See below for information on how to identify and record the identification numbers for the unit.

If you need engine service or parts:

For engine service or parts, contact your local authorized engine dealer. Look in the yellow pages of the phone book under "Engines-Gasoline" for the name of your nearest authorized engine dealer. An authorized engine dealer can handle all parts, repairs, and warranty service concerning the engine.

Note:

All replacement parts must conform to our rigid quality specifications. Although some replacement parts we provide may vary slightly in shape, color or texture from the original parts, any variations will not affect the fit or performance of these parts on your unit.



WARNING

We urge using only genuine replacement parts which meet all the latest requirements. Replacement parts manufactured by others could present safety hazards, even though they may fit on the unit!

IMPORTANT:

Left and right sides of the unit are determined by standing behind the unit, in the operator's position, and facing in the direction of forward travel.

NOTICE:

We reserve the right to change specifications, add improvements or discontinue the manufacture of any of our equipment without notice or obligation to purchasers of our equipment.

Identification Numbers

Record the Model/Serial Numbers here:

When ordering parts from us or your local servicing dealer, you will need to provide the unit's model/serial number. For your convenience and ready reference, record this information below.

Product Model/Serial Number _____

Engine Model / Serial Spec. Numbers _____

Date of Purchase _____

Name of Dealer _____

For customer assistance, contact your nearest authorized dealer or:

GARDEN WAY INCORPORATED • 1 Garden Way • Troy, New York 12180
Customer Service: 1-800-437-8686 • Technical Service: 1-800-520-5520 • Parts Service: 1-800-648-6776
• FAX: (518) 391-7332 • WEBSITE: www.troybilt.com

Outside the United States and Canada:
Customer Service: (518) 391-7007 • Technical Service: (518) 391-7008 • Parts Service: (518) 391-7006 • FAX (518) 391-7332